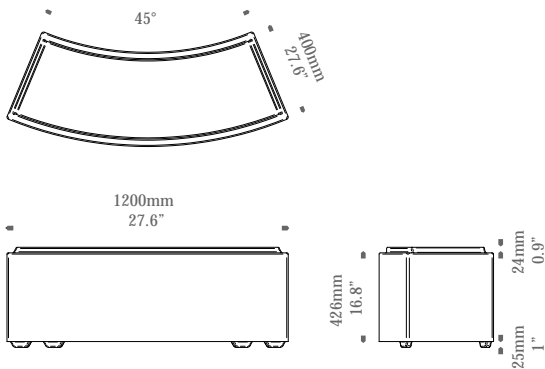




# 1eighth

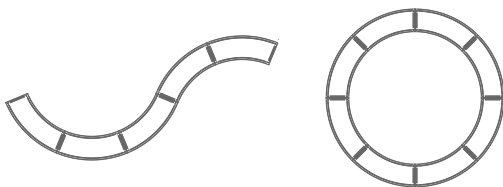


## 1eighth

Designed by Jason Bird in collaboration with Paul Fairweather, 1eighth is perfect for school and educational environments but equally at home in the house or café setting. The modular 'bricks' can be arranged in circles, semi circles, any 'snake' pattern or a combination of all, to create clustered spaces which engage social interaction. You can even build up walls and make your very own castle or labyrinth.

Reminiscent of toy building blocks, the 1eighth bench is big fat fun in 15 vivid colours. When arranged radically, each individual bench represents a 1200mm long arc comprising one eighth of a full circle. The benches can be stacked staggered or straight up and down.

## configurations



## key features

100% recyclable

- \_ Made of 100% recyclable LDPE
- \_ UV resistant
- \_ long life and warranty
- \_ GECA environmental certification
- \_ Stackable

Designed and made in Australia - Long Life/Recyclable/UV Resistant. Custom colours available, minimum quantity or set up charges may apply.



1/66 McLachlan Street  
Fortitude Valley Q 4006  
P +61 7 3257 2822  
F +61 7 3257 2844  
www.luxxbox.com  
info@luxxbox.com

Fairweather +  
Creative Culture

